



(AN ISO CERTIFIED 9001:2015 COMPANY)

PRODUCT MANUAL FOR ANEMOMETER

Product Manual :-

- Wire Anemometer(1 - 4 Page)
- Wireless Anemometer (5 - 8 Page)
- Jumbo Display Anemometer (9 - 12 Page)

Product Description

SARAS Anemometer for Crane is an instrument that measures wind speed and wind pressure. Anemometers designed for crane applications are essential for ensuring safe operations in various weather conditions. Our equipment is known for its reliability, ease of use, designing, and easy communication with international standards.

By

manufacturing, and customizing both sensors and equipment as needed, we can provide a complete solution for your measurement needs. Whether your industry is manufacturing, processing or packaging, we can provide you with optimized solutions, including individually configured hardware and software suit your exact requirements.

Features

- **Exceptional resistance to impact, overspeed, shock, and erosion**
- **Small and exquisite, easy to handle and install.**
- **Alloy material finish, reasonable structure design and nice outlook quality Capable of withstanding wind speeds up to 70 m/s.**
- **Reliable operation even at low wind speeds**
- **Equipped with design features to safeguard against power surges**
- **Includes an automatic cutoff and alarm system for overspeed conditions.**
- **Working aloft testing and control**
- **Suitable for rigorous testing and control in engineering applications.**
- **Effective for wind speed and direction testing and control in port, wharf, and other industrial environments.**

Specification:-

Product Type	Cup Anemometer
Working Voltage	AC=220V DC=12/24V
Testing range	0.5m/s~50m/s
Start wind speed	≤0.5m/s
Accuracy	±0.5m/s (<5m/s)(±3%FS (≥5m/s)
Working Environment	Temperature: -40°C~+80°C (±0.5°C)
Limit wind speed	Max: 70m/s 30min
Environmental Protection	IP65
Model	A02
Batteries Required	No
Relay Cut Off	Yes
Over Speed Buzzer	Yes
Wire Range	±1km* Approx
Wire (3Core)	25mtr
Display Box Dimensions (L*H*W) MM	132*100*55
Color	As per Image uploaded
Brand	SARAS

1. Calibration of SARAS A02 Wire Anemometer



Display Model-(A02)



Wind Sensor



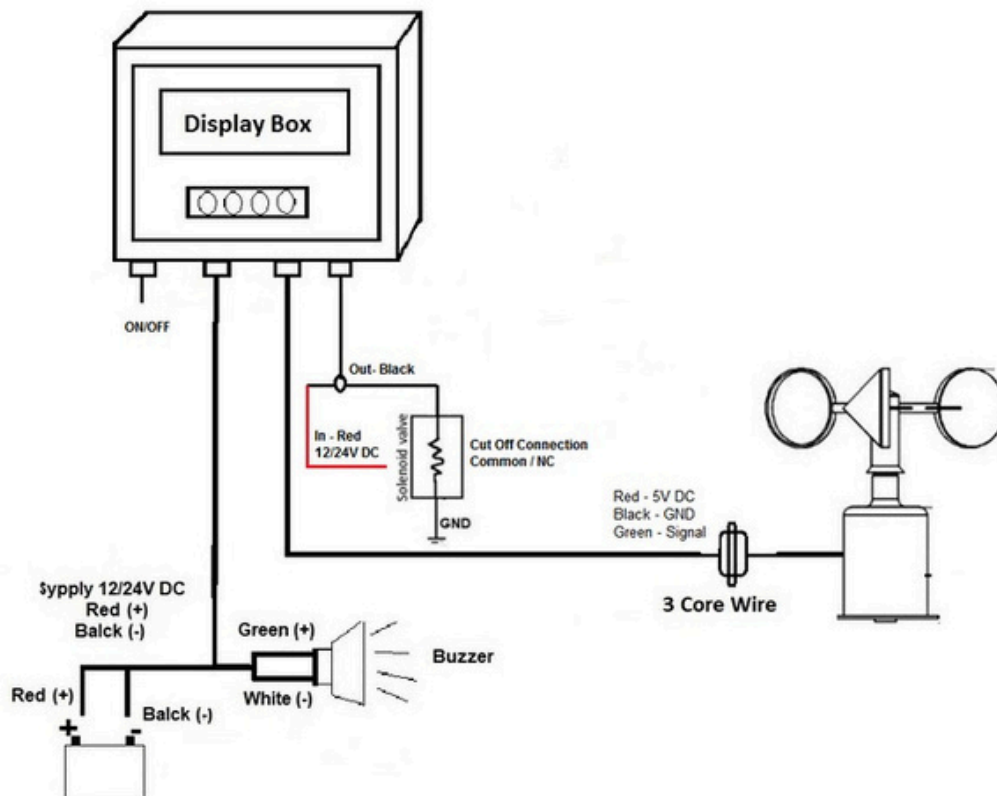
Power Supply



Cable



Buzzer



USER MANUAL

ON/OFF SWITCH

1. ON/OFF use for Anemometer

WIRE Connection Information

2. WIRE 4 CORE DETAILS

Red	—————→	+VE (12V) FOR MAIN SUPPLY.
Black	—————→	-VE (GROUND) FOR MAIN SUPPLY.
White	—————→	- FOR BUZZER (ALARM)
Green	—————→	+VE FOR BUZZER (ALARM)

3. WIRE 3 CORE DETAILS

Red	—————→	5V DC FOR FAN SENSOR
Green	—————→	SIGNAL FOR FAN SENSOR
Black	—————→	GROUND FOR FAN SENSOR

4. WIRE 2 CORE DETAILS

Red	—————→	COMMON CUT OFF CONNECTION
Black	—————→	NC FOR CUT OFF CONNECTION.

2. Calibration of SARAS A01 Wireless Anemometer



Display Model-(A01)



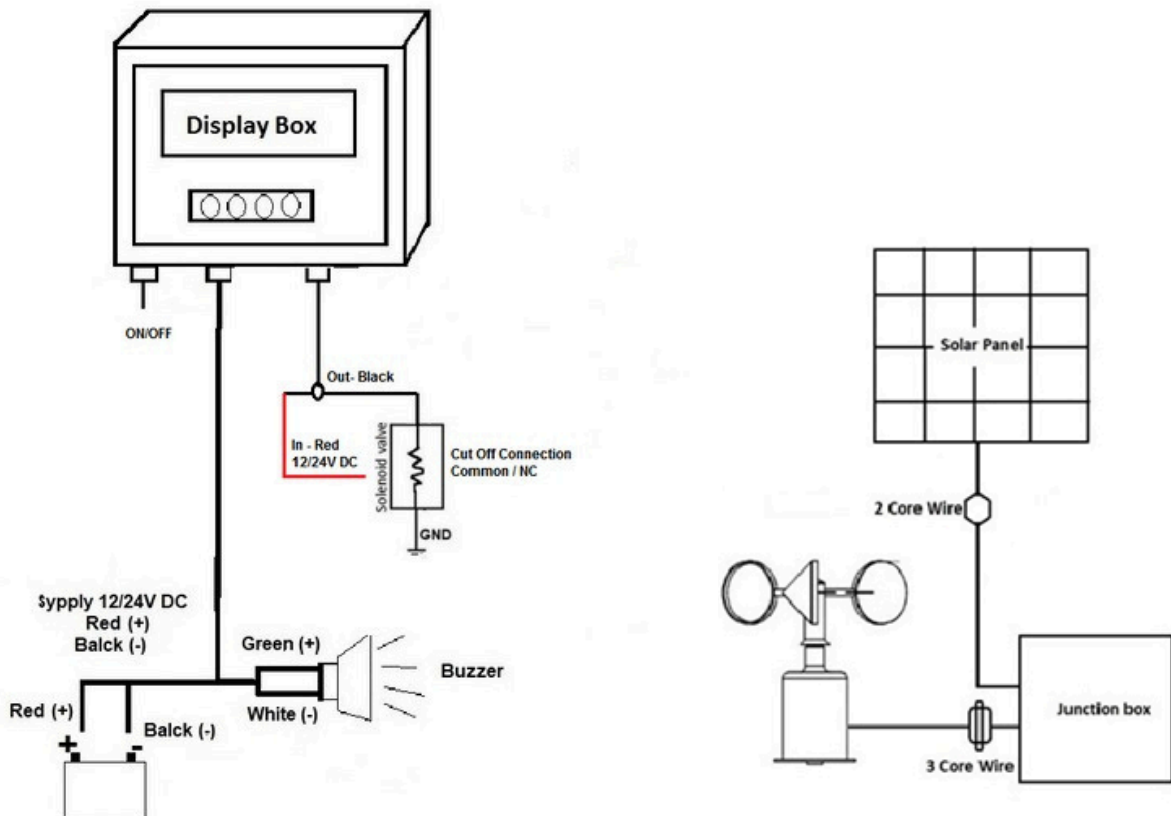
Junction Box With Wind Sensor



Solar Panel



Buzzer



USER MANUAL

ON/OFF SWITCH

1. ON/OFF use for Anemometer

WIRE Connection Information

2. WIRE 4 CORE DETAILS

Red	—————→	+VE (12V) FOR MAIN SUPPLY.
Black	—————→	-VE (GROUND) FOR MAIN SUPPLY.
White	—————→	- FOR BUZZER (ALARM)
Green	—————→	+VE FOR BUZZER (ALARM)

3. WIRE 2 CORE DETAILS

Red	—————→	COMMON FOR CUT OFF CONNECTION
Black	—————→	NC FOR CUT OFF CONNECTION.

4. WIRE 5 CORE DETAILS

Red	—————→	+VE (3.3V) FOR SUPPLY JUNCTION BOX.
Black	—————→	-VE (GROUND) FOR JUNCTION BOX.
Green	—————→	SIGNAL FOR JUNCTION BOX
Red	—————→	+ VE(5V SUPPLY) FOR SOLAR PANEL
Black	—————→	-VE (GROUND) FOR SOLAR PANEL

3. Calibration of SARAS A02D Wire Anemometer with LED Board Display



Display Model -(A02D)



Wind Sensor



Power Supply

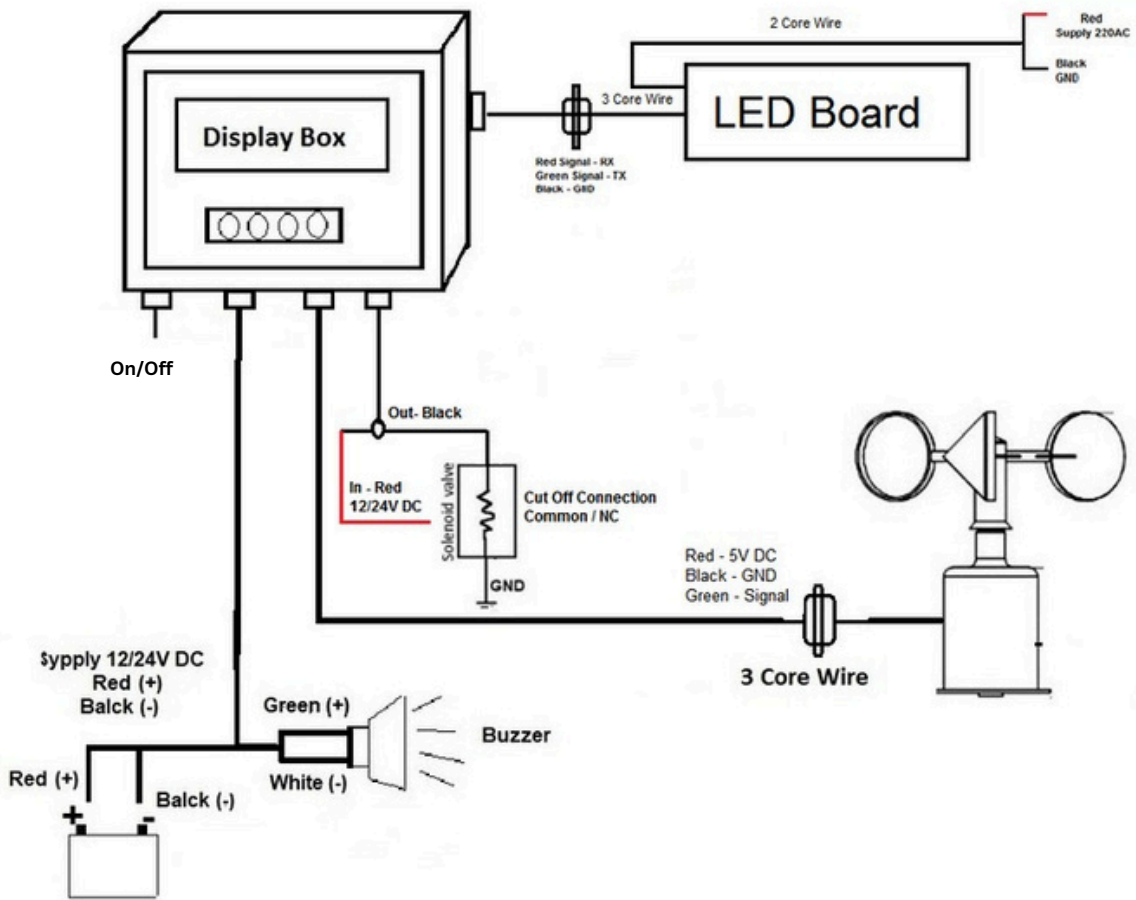


Cable



Buzzer

Wiring Diagram of Model A02D



USER MANUAL

ON/OFF SWITCH

1. ON/OFF use for Anemometer

WIRE Connection Information

2. WIRE 4 CORE DETAILS

Red	—————→	+VE (12V) FOR MAIN SUPPLY.
Black	—————→	-VE (GROUND) FOR MAIN SUPPLY.
White	—————→	- FOR BUZZER (ALARM)
Green	—————→	+VE FOR BUZZER (ALARM)

3. WIRE 3 CORE DETAILS

Red	—————→	(5V DC) FOR FAN SENSOR.
Black	—————→	(GROUND) FOR FAN SENSOR.
Green	—————→	(SIGNAL) FOR FAN SENSOR.

4. WIRE 2 CORE DETAILS

Red	—————→	COMMON FOR CUT OFF CONNECTION
Black	—————→	NC FOR CUT OFF CONNECTION.



Building Number, 12, Naresh Park, Nangloi, New Delhi 110041 Mail us at:
sarasequipments@gmail.com

Visit us at: www.sarasequipments.com

WE CARE ABOUT EVERY CUSTOMER