

# 587T

## Pipelayer



### Engine

Engine Model	Cat® C15 ACERT™	
Gross Power	294 kW	394 hp
Flywheel Power	273 kW	366 hp

- Engine ratings at 1,800 RPM

### Weights

Operating Weight	53 070 kg	117,000 lb
Shipping Weight	52 616 kg	116,000 lb

- Operating weight includes all shipping weights plus full fuel tank and operator.
- Shipping weight includes: lubricants, coolant, 10% fuel, hydraulic controls and fluids, backup alarm, seat belt, 864 mm (34") grouser shoes, drawbar and counterweight.

### Operating Specifications

Lifting Capacity	91 625 kg	202,000 lb
------------------	-----------	------------

# 587T Pipelayer

---

## Pipelayer

- ✓ Fully hydraulic hook and boom winches provide excellent controllability for precise pipe placement. Counterweight and frame design provides excellent stability. **pg. 4**

---

## Structure

- ✓ Mainframe is heavy, strong and durable. Full box sections, steel castings and continuous rolled rails provide durable support to the undercarriage, elevated final drives and other integral frame components. **pg. 5**

---

## Operator Station

- ✓ Designed for operator comfort, convenience and productivity. Machine control and vital information is provided at the operator's fingertips. A full day of work is no problem in this efficient work place. **pg. 6**

---

## Power Train

- ✓ A combination of innovations working at the point of combustion, ACERT™ Technology optimizes engine performance and fuel efficiency while meeting EPA Tier 3 and EU Stage IIIA engine exhaust emission regulations for off-road applications. **pg. 10**

---

## Undercarriage

- ✓ The proven elevated sprocket undercarriage isolates the drive train components from ground-induced impacts. The undercarriage is designed for optimized machine balance, performance and component life. **pg. 12**

*Engineered for reliable production in the toughest working conditions. The 587T offers rugged durability and proven reliability to perform in a variety of working conditions*



---

### Optional Enclosed Cab

- ✓ The optional enclosed cab offers operator comfort in any climate. The operator enjoys excellent visibility in all directions because the cab was designed with maximum glass area and includes a skylight window to view the boom and upper block. **pg. 7**

---

### Electronic Steering and Transmission Controls

- ✓ Combines steering, machine direction and gear selection into a control system which can be operated with one hand for enhanced operator comfort and increased productivity. **pg. 8**

---

### Drive Train

- ✓ The electronically controlled power shift transmission, torque divider and durable planetary final drives deliver outstanding power transfer and long life to ensure maximum productivity. **pg. 9**

---

### Serviceability and Customer Support

- ✓ Combining easy to access, modular components with your Caterpillar® Dealer's advanced rebuild and repair capabilities ensures rapid component replacement and minimum downtime. **pg. 13**



✓ *New Feature*

# Pipelayer

*Caterpillar pipelayer system includes winches, boom, block, hook, counterweight and drawbar.*



## Winches.

- Boom and hook drawworks are driven by independent hydraulic winches.
- Oil-disc brakes provide smooth operation, positive retention of boom and hook positions.
- Modular design allows fast replacement, easy field service and testing.
- High parts interchangeability between hook and boom winch assemblies.
- Infinitely variable speed controls for both boom and hook allow precise control.



## Counterweight.

- Counterweight is extended hydraulically for improved load balance and clearance.
- Counterweight segments are contoured to provide a low center of gravity and enhanced forward and right side viewing area. Segments are splined to the counterweight assembly for ease of assembly and disassembly.

## Drawbar.

- Able to tow wide range of attachments.



## Boom.

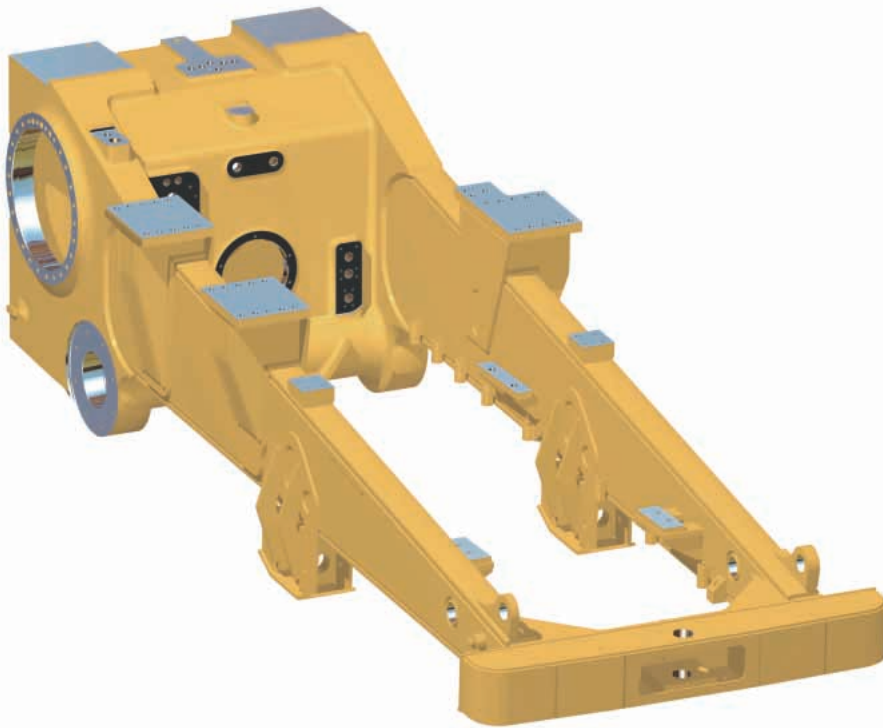
- 8.5 m (28 ft) Boom is standard equipment with large box section.
- Replaceable, boom-mount bearings.
- High tensile strength steel construction.
- Allows for smaller sections for improved visibility.
- Lighter weight for increased payload.
- Durable for long life.

**Blocks and Hook.** Heavy-duty lifting components include the following:

- Hook and boom blocks with sealed roller bearings.
- Forged hook with latch and serviceable handle.
- Ductile iron sheaves.
- High performance cable for improved life, crush resistance, flexibility and strength.

## Structure

*Engineered to provide durability and the solid support necessary for maximum production and service life in the most demanding work.*



**Mainframe Strength.** The 587T mainframe is built to absorb high impact shock loads and twisting forces.

**Frame Rails.** Full box section, designed to keep components rigidly aligned.

**Heavy Steel Castings.** Adds strength to the main case.

**Top and Bottom Rails.** Continuous rolled sections, with no machining or welding, to provide superior mainframe durability.

**Main Case.** Elevates the final drives well above the ground level work area to protect them from impact loads, abrasion and contaminants.

**Robotic Welding.** Caterpillar uses robotic welding techniques in the assembly of the case and frames. This insures quality and reliability throughout the structure. Robotic welding provides deep penetration and consistency for long life, and reduces the chance for errors that may be made during manual welding.



**Front Bumper.** A front bumper is mounted to the frame rails and provides both protection and a towing device. Pipelayer frame mounts are also an integral part of the frame.



**Optional Roll Over Protective Structure.** Provides increased operator protection.

- Available with or without cab.

## Operator Station

*Excellent operator visibility and ergonomically designed for operator's maximum comfort and productivity.*



**Seat.** Ergonomically designed and fully adjustable for maximum comfort. The seat cushion reduces the pressure on the lower back and thighs while allowing unrestricted arm and leg movement.

**Clear Full-Circle View.** A tapered hood and “notched” fuel tank give the operator a clear line of sight to the front, rear and side work areas. The new streamlined design of the Caterpillar 587T Pipelayer offers several operator visibility improvements for more precise maneuvering and placement of pipe.

**Finger Tip Control (FTC).** Finger tip controls are clustered to the operator's left for easy one-handed operation, controlling steering, direction and gear selection.

**Access Ladder.** Direct access to the operator's station utilizing ladder on left side of the machine.



**Monitoring System.** Provides the operator instant feedback on the condition of operating systems and records such performance data as high/low gauge readings to help diagnose problems and manage undercarriage. Has gauges that monitor the temperature of the engine coolant, hydraulic oil and power train oil, plus the fuel level. Also has a digital and gauge type tachometer.

### **Ergonomic Work Tool Controls.**

Pipelayer controls are low effort and allow simultaneous, precise positioning of the hook and boom with one hand.

- Quick drop function on hook line control allows the operator to drop the load quickly.

## Optional Enclosed Cab

*Caterpillar offers an optional enclosed cab to maximize operator comfort in any climate.*

**Optional Enclosed Cab.** Designed for operator comfort and productivity in any climate. Fully insulated with a heater. Air conditioning and roll over protection structure available as additional options.

**Excellent Visibility.** The optional cab provides excellent visibility, designed with the maximum glass area. There is also an additional option of dual pane windows available for cold weather environments.

**Skylight Window.** The cab is equipped with a skylight window to view the boom and upper block.

**Screened Side Windows.** The side windows are screened to allow better ventilation and ground communication.

**Wipers.** The optional cab is equipped with wipers on the front, rear and door windows to provide a clearer view during inclement weather.

**Lights.** Eight additional halogen lights come with the cab arrangement, 3 facing forward, 2 to the rear, 2 to the boom side and 1 to the winch side.



## Electronic Steering and Transmission Controls

*Combines steering, machine direction and gear selection into a control system which can be operated with one hand for enhanced operator comfort and increased productivity.*



**Finger Tip Control (FTC).** Finger tip controls are clustered to the operator's left for easy one-handed operation, controlling steering, direction and gear selection.

### **Electronic Clutch and Brake (ECB).**

Electronic clutch and brake steering system consists of two small levers which send signals that control the steering valve.

- levers require less than 1.4 kg (3 lb) of pull to actuate.
- steering is similar to traditional clutch and brake arrangements but with less time and effort.

ECB system allows the operator to work more precisely in close areas, around structures, obstacles, grade stakes or other machines.

**Adjustable Operator Comfort.** The system is attached to an electrical linear actuator which allows the FTC module to be adjusted up and down.

Fore/aft adjustment is controlled by a manual lever on the front of the control module. The rigidly mounted hand grip provides firm support for the operator.

**Machine Direction.** Machine direction is controlled by a pivoting knob which can be actuated by the thumb of the left hand. Rotating the knob up moves the machine forward. Rotating the knob down moves the machine in reverse. Neutral is the central position.

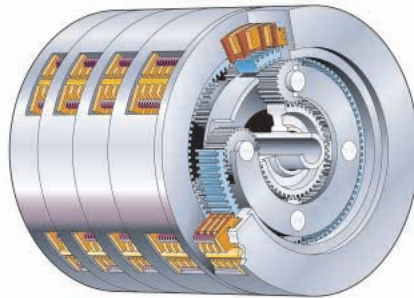
**Gear Selection.** Gear selection is made by two buttons to the right of the machine direction knob. The top (up-shift) button shifts the machine transmission to the next higher gear while the (down-shift) button shifts to the next lower gear.

**Parking Brake Switch.** This switch electronically locks the ECB system and transmission control.



## Drive Train

*The drive train provides maximum efficiency in combination with the C15 engine with ACERT™ Technology.*



**Torque Divider.** A high efficiency torque divider with freewheel stator provides high torque multiplication while shielding the drive train from sudden torque shocks and vibration.

### **Elevated Final Drives.**

- Isolated from ground and equipment induced impact loads for extended power train life.
- Crown-shaved drive gears provide smooth, quiet, low maintenance operation.
- Splash lubrication and Duo-Cone™ Seals extend service life.

### **Planetary Power Shift Transmission.**

Three speeds forward and three speeds reverse, utilizing large diameter, high capacity, oil-cooled clutches.

- Modulation system permits fast speed and direction changes.
- Modular transmission and differential slide into rear case for servicing ease.
- Oil-to-water cooler for maximum cooling capacity.
- Forced oil flow lubricates and cools clutch packs to provide maximum clutch life.

### **Electronic Clutch Pressure Control.**

The Finger Tip Control (FTC) system has an additional drive train feature for added performance, Electronic Clutch Pressure Control (ECPC). This feature provides smoother shifting by modulating individual clutches. ECPC also provides the auto-shift and auto-kickdown feature.

**Steering Clutch and Brake.** Fade resistant and adjustment free. The multi-disc, oil-cooled steering clutches are hydraulically applied and electronically controlled. The brakes are applied by springs and hydraulically released for safe and reliable braking performance.

### **Drawbar Pull vs. Ground Speed.**

As loads on the tractor increase, the 587T offers unmatched lugging capability and smooth shifting as the need occurs to change gears under varying loads. The 3-speed forward, 3-speed reverse transmission offers excellent runout speeds.

**Modular Power Train.** The modular power train design permits quick removal and installation of major components such as the engine, transmission and final drives.

## Power Train

*A combination of innovations working at the point of combustion, ACERT™ Technology optimizes engine performance while meeting EPA Tier 3 and EU Stage IIIA engine exhaust emission regulations for off-road applications.*

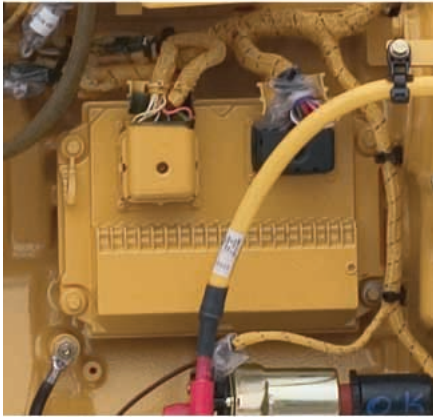


**Engine .** The Cat® C15 engine with ACERT™ Technology provides the power for the 587T. Performing at full-rated net power of 273 kW (366 hp) at 1,800 rpm, the large displacement and high torque rise provides the 587T the power needed on challenging jobs. Matched to the high-efficiency torque divider and electronically controlled power shift transmission, it will provide years of dependable service.

**C15 Block.** The one-piece, grey iron block features generous ribbing for stiffness and heavy bearing bulkheads for rigidity and strength. Incorporation of straight o-ring connection points reduces the loss of engine oil and fluids.

### **Constant Net Horsepower.**

- Constant net horsepower allows the operator to maintain high standards of performance and response, even when parasitic loads, such as the on-demand cooling fan, are applied.
- Engine automatically adjusts to maintain power output and conversely lowers output when demands are low.
- Significant fuel savings in cooler climates and during long engine idle times typical of pipeline applications.

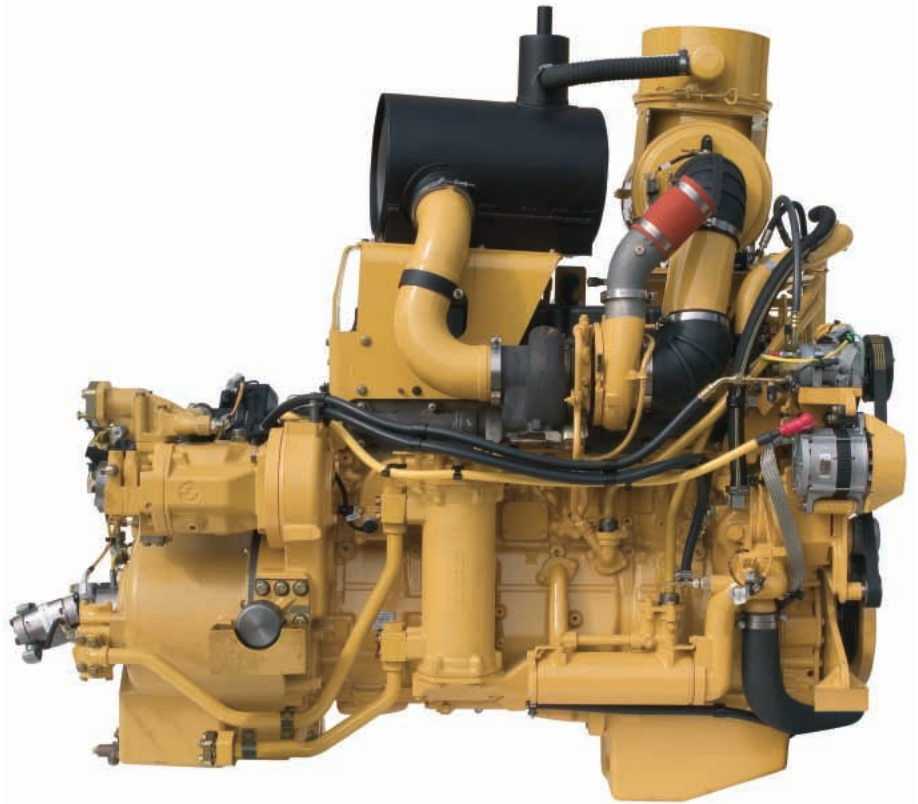


**ADEM™ A4 Engine Controller.**

The ADEM A4 electronic control module manages fuel delivery to get the best performance per liter (gallon) of fuel used. It provides flexible fuel mapping, allowing the engine to respond quickly to varying application needs. It tracks engine and machine conditions while keeping the engine operating at peak efficiency.

**Fuel Delivery.** Multiple injection fuel delivery involves a high degree of precision. Precisely shaping the combustion cycle lowers combustion chamber temperatures generating fewer emissions and optimizing fuel combustion; translating into more work output for your fuel cost.

**MEUI Fuel System.** A highly evolved fuel system with a proven record of reliability in the field. MEUI combines the technical advancement of an electronic control system with the simplicity of direct mechanically controlled unit fuel injection. The MEUI system excels in its ability to control injection pressure over the entire engine operating speed range. These features allow the C15 to have complete control over injection timing, duration, and pressure.



**ATAAC and Turbocharging.** Air-to-air aftercooling keeps air intake temperatures down and, in concert with the tight tolerance combustion chamber components, maximizes fuel efficiency and minimizes emissions. Significant improvements in air flow are generated by a water-cooled turbocharger, unique cross-flow head and single overhead cam.

**Service.** Easier maintenance and repair through monitoring key functions and logging critical indicators. Electronic diagnostic access is possible with a single tool, the Cat Electronic Technician.

## Undercarriage

*The Caterpillar elevated sprocket undercarriage is designed for optimized machine balance and best possible performance and component life.*



**Final Drives.** Final drives and associated power train components are raised above the work area, isolating them from ground induced impact loads, as well as pipelayer loads, extending power train component life.

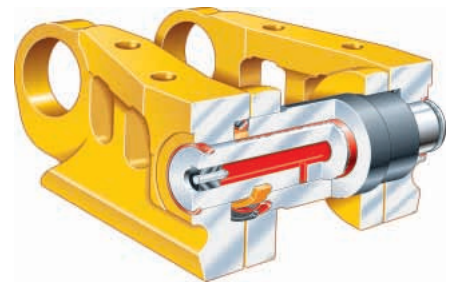
**Sprockets.** Sprocket position keeps sprocket teeth, bushings and final drives away from the abrasive materials and moisture, resulting in longer final drive gear and seal life.

**Rollers and Idlers.** Feature symmetric Duo-Cone™ seals for long sealing life to prevent oil loss and dirt entry. Toric rings maintain performance over a wide range of temperatures. Rollers and idlers are serviceable and rebuildable to provide value.

**Roller Frames.** Roller frames are tubular to resist bending and twisting, with added reinforcement where operating loads are highest.

- Non-oscillating roller frames for greater stability in pipelaying applications.
- The recoil system is sealed and lubricated.

**Sprocket Segments.** Made exclusively of Caterpillar Tough Steel™ for longer wear life and precision machined after heat treat for proper fit. Segments can be removed or replaced without breaking the track.

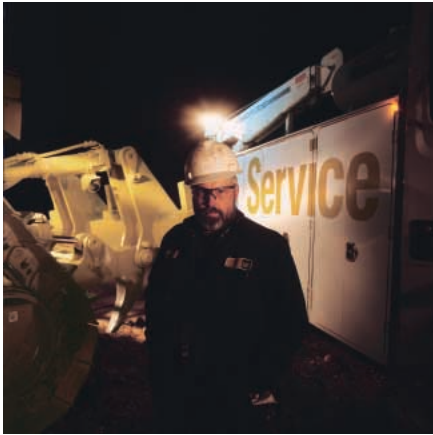


**Positive Pin Retention (PPR) Sealed and Lubricated Track.** Designed for high-impact and high load applications. The PPR exclusive Caterpillar design locks the link to the pin.

**Track Shoes.** Track shoes are 864 mm (34 in) single grouser design and made from heat treated, rolled steel for added strength. Wide track and clipped shoes are available as an option to match working conditions. Long track frame and wide gauge enhance track contact area, providing a stable working base.

## Serviceability and Customer Support

*World-class product support. The most serviceable machines from the most committed dealers. The Cat Dealer network trained experts keep your fleet up and running, maximizing your equipment investments. Caterpillar. The difference counts.™*



**Serviceability.** Minimizes maintenance and repair downtime. New sight gauges, filter locations, improved access to oil and coolant sampling ports, and an engine compartment mounted work lamp, make daily and periodic service faster and easier.

**Engine Oil Filter.** Engine oil filter is located on the engine for easy servicing access and minimal downtime. Save further time with the optional quick oil change attachments.

**Water Separator and Fuel Filter.** Easily located just inside the engine access panel, the water separator functions as the primary fuel filter, just ahead of the secondary fuel filter.

**Quick Disconnect Fittings.** Allow for fast diagnosis of the power train, hydraulics and attachment oil systems.

**S•O•S<sup>SM</sup> Analysis.** Scheduled Oil Sampling made easier through live sampling ports for the engine oil, hydraulics and coolant.



**Caterpillar Product Link PL300 (optional).** This option allows the customer or dealer to obtain machine diagnostics and location information from their offices. Product Link PL300 provides updates on service meter hours, machine condition and machine location, as well as integrated mapping/route planning. Built-in flexibility allows for future technology development.

**Purchase.** Consider the financing options available, as well as day-to-day operating costs. This is also the time to look at dealer services that can be included in the cost of the machine to yield lower equipment owning and operating costs over the long run.

**Product Support.** Plan for effective maintenance before buying equipment. Choose from your dealer's wide range of maintenance services at the time you purchase your machine. Programs such as Custom Track Service (CTS), S•O•S analysis, Technical Analysis and guaranteed maintenance contracts give peak life and performance to your machine.

**Parts Program.** You will find nearly all parts at your dealer parts counter. Cat Dealers use a worldwide computer network to find in-stock parts to minimize machine downtime. Ask about your Cat Dealer's exchange program for major components. This can shorten repair time and lower costs.

## Engine

Engine Model	Cat® C15 ACERT™	
Gross Power	294 kW	394 hp
Flywheel Power	273 kW	366 hp
Net Power – Cat	273 kW	366 hp
Net Power – ISO 9249	273 kW	366 hp
Net Power – SAE J1349	270 kW	362 hp
Net Power – EU 80/1269	273 kW	366 hp
Bore	137 mm	5.4 in
Stroke	172 mm	6.75 in
Displacement	15.2 L	928 in <sup>3</sup>

- Engine ratings at 1,800 RPM
- Net power advertised is the power available at the flywheel when the engine is equipped with fan, air cleaner, muffler and alternator
- No engine derating required up to 3658 m (12,000 ft). Automatic derating occurs beyond that altitude.

## Undercarriage

Shoe Type	Super Extreme Service	
Width of standard shoes	864 mm	34 in
Number of shoes (each side)	47	
Grouser Height	93 mm	3.66 in
Pitch	215.9 mm	8.5 in
Ground Clearance	516 mm	20.3 in
Track gauge	2540 mm	100 in
Length of track on ground	3587 mm	141 in
Ground contact area with 864 mm (34") shoes	6.2 m <sup>2</sup>	9,613 in <sup>2</sup>
Number of rollers (each side)	9	
Number of Carrier Rollers	1 per side	

- Positive pin retention track

## Hydraulic System

Pump Type	Piston-type, Variable, two section	
Pump output – max	540 L/min	142 gal/min
Relief Valve Setting – Counterweight	17 225 kPa	3,000 psi
Pump Output – Counterweight (gear)	98 L/min	25.9 gal/min

## Service Capacities

Fuel Tank	568 L	150 gal
Crankcase and filter	38 L	10 gal
Final drive (each side)	12.8 L	3.4 gal
Cooling system	77 L	20.3 gal
Hydraulic tank	114 L	30 gal
Power Train	155 L	41 gal
Roller Frames (each)	73 L	19 gal
Variable Fan Hub	3.1 L	0.82 gal

## Operating Specifications

Lifting Capacity	91 625 kg	202,000 lb
------------------	-----------	------------

## Weights

Operating Weight	53 070 kg	117,000 lb
Shipping Weight	52 616 kg	116,000 lb

- Operating weight includes all shipping weights plus full fuel tank and operator.
- Shipping weight includes: lubricants, coolant, 10% fuel, hydraulic controls and fluids, backup alarm, seat belt, 864 mm (34") grouser shoes, drawbar, counterweight and boom removed.

## Transmission

1 Forward	3 km/h	1.9 mph
2 Forward	5.4 km/h	3.3 mph
3 Forward	9.4 km/h	5.8 mph
1 Reverse	4 km/h	2.5 mph
2 Reverse	7 km/h	4.4 mph
3 Reverse	12.3 km/h	7.7 mph
1F – Drawbar Pull	618.5 N	139 lbf
2F – Drawbar Pull	338.2 N	76 lbf
3F – Drawbar Pull	186.9 N	42 lbf

## Standards

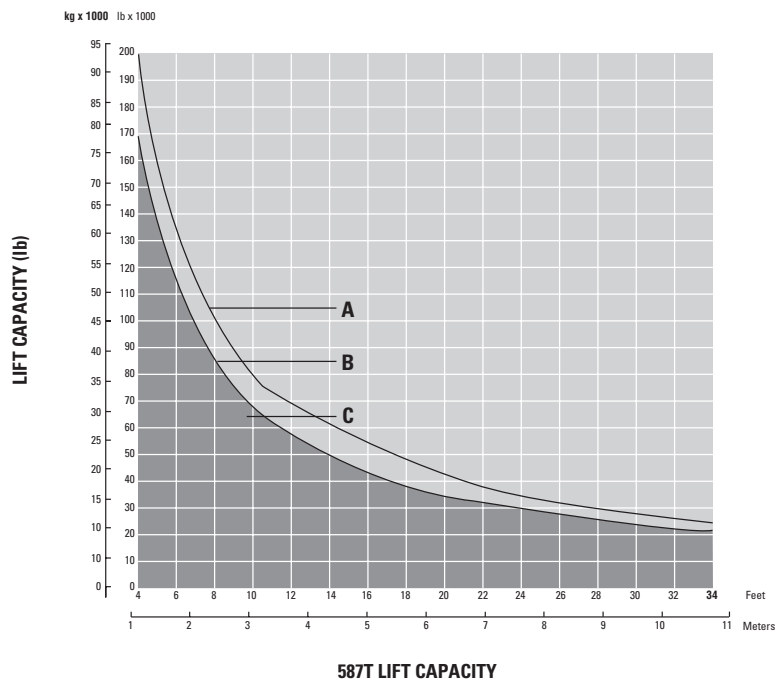
Brakes	Brakes meet the standard SAE J/ISO 10265 March99
ROPS	Optional ROPS (Rollover Protection Structure) meets the standards SAE J397 OCT95, SAE J1040 MAY94, ISO 3164 1995 and ISO 3471-1

# Pipelaying Equipment

## Planetary Hydraulic Winches

	Hook		Boom	
Drum diameter	317 mm	12.5 in	317 mm	12.5 in
Flange diameter	610 mm	24 in	610 mm	24 in
Drum length	338 mm	13.3 in	338 mm	13.3 in
Capacity – 19 mm (3/4" diameter)	181 m	595 ft	181 m	595 ft
Wire rope installed – 19 mm (3/4" diameter)	124 m	407 ft	62.5 m	205 ft
Hook speed (raise) with 8 part line	15.5 m/min	50.8 ft/min		
Boom – square section standard	8.5 m	28 ft		
Removable counterweight 13 segments, 2 @	285 kg	628 lb		
	6 @	640 kg	1,410 lb	
	7 @	714 kg	1,574 lb	
Total weight extendible	12 900 kg	28,440 lb		

## Lifting Capacity



### Specified Equipment:

19 mm (3/4") diameter wire rope  
26 672 kg (58,800 lb) minimum breaking strength

8 part load line  
5 part boom line

12 900 kg (28,440 lb) counterweight extended  
boom 8.5 m (28 ft) standard  
Total operating weight 53 070 kg (117,000 lb)

**A** Lift capacity at tipping point\*

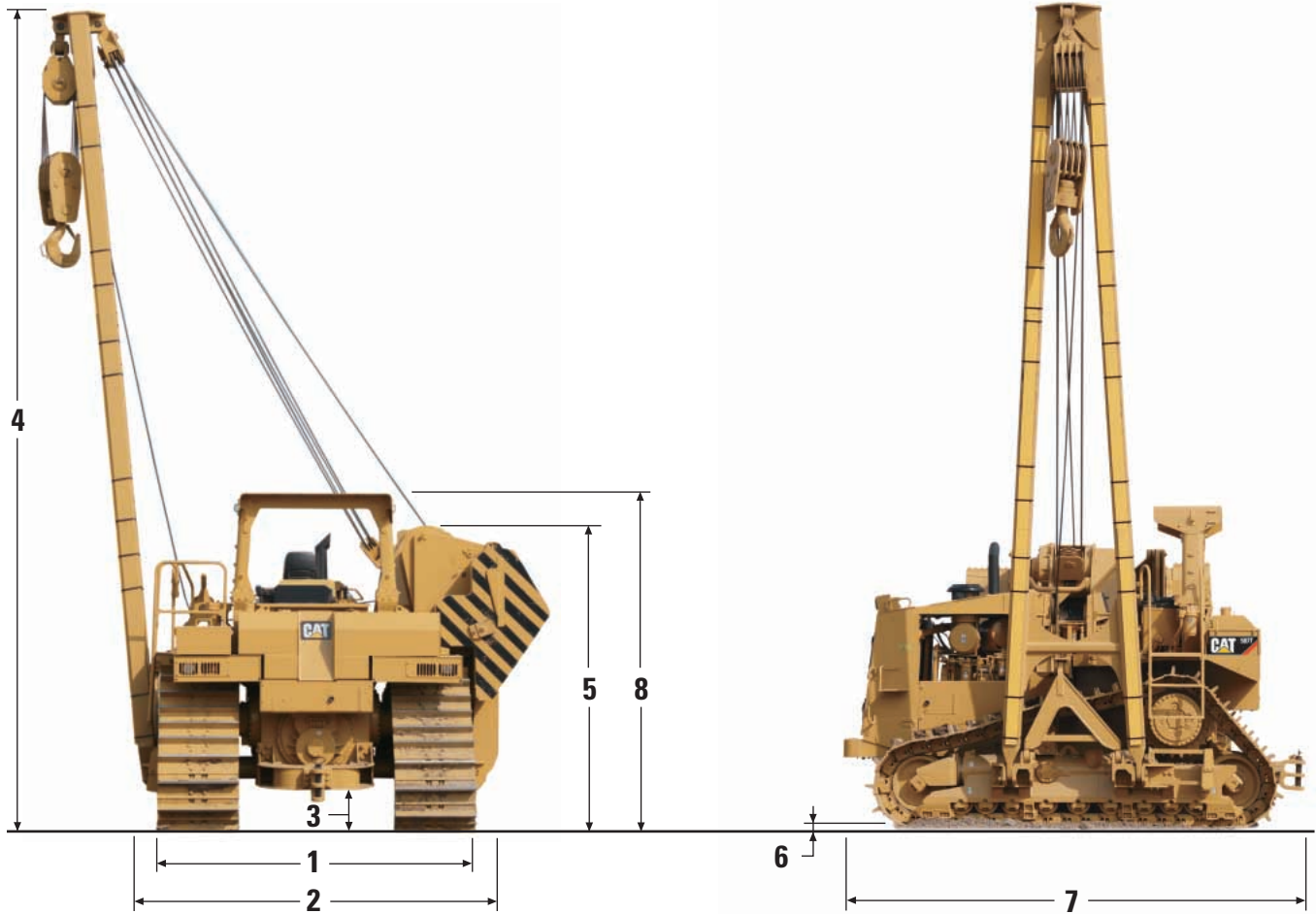
**B** Rated load capacity\*

**C** Working range\*

\* Per ISO 8813:1992

# Dimensions

(approximate)



<b>1</b>	Width to outside of track	3403 mm	(11'2")
<b>2</b>	Shipping width (boom and counterweight removed)	4038 mm	(13'3")
<b>3</b>	SAE ground clearance (face of shoe)	516 mm	(20.3")
<b>4</b>	Boom height – vertical	9254 mm	(30'4")
<b>5</b>	Height with ROPS and boom removed	3505 mm	(11'6")
<b>6</b>	Grouser height	93 mm	(3.7")
<b>7</b>	Operating length	5486 mm	(18'0")
<b>8</b>	Shipping height (boom removed)	3835 mm	(12'7")



## Standard Equipment

*Standard equipment may vary. Consult your Caterpillar dealer for details.*

### ELECTRICAL

- Alarm, Back up
- Alternator, 95-amp
- Batteries, 4, maintenance free
- Converter, 12V, 10 amp with 1 outlet
- Diagnostic connector (starting and charging system)
- Horn, forward warning
- Lighting system
- Starting receptacle

### OPERATOR ENVIRONMENT

- Armrest, adjustable
- Deactivation switch, hydraulic controls
- Pedal, Decelerator
- Pedal, Brake
- Horn
- Hour meter
- Gauge package:
  - Coolant temperature
  - Power train oil temperature
  - Hydraulic oil temperature
- Governor switch, electronic
- Key start, single
- Monitoring System, Electronic warning
- Seat, vinyl suspension
- Seat belt, retractable
- Service indicator, air cleaner
- Steering system, Electronic Fingertip Control
- Storage compartment

### PIPELAYING EQUIPMENT

- Block and Hook, heavy duty with roller bearings
- Boom, 8.5 m (28 ft)
- Counter weight, extendible segmented 12 900 kg (28,440 lb)
- Drawworks, hydraulically actuated and controlled
- Hook latch

### POWER TRAIN

- Advanced Modular Cooling System (AMOCS)
- Aftercooler, air to air (ATAAC)
- Engine, C15 with ACERT™ Technology
- Coolant, extended life with protection to -37° C (-34° F)
- Filter, air with electronic service indicator
- Electric starting, 24 volt direct
- Fan, hydraulically driven
- Final drives, four planet, double-reduction planetary
- Fuel priming pump
- Muffler
- Parking brake, electronic
- Precleaner with dust ejector
- Prescreener
- Shift management, automatic directional/downshift
- Ether starting aid
- Torque divider
- Transmission, electronically-controlled powershift, 3F/3R
- Transmission control module, electronic
- Turbocharger, wastegate
- Water separator

### UNDERCARRIAGE

- Carrier roller
- Undercarriage, non-suspended with 9-roller, tubular track roller frame
- Lifetime Lubricated rollers and idlers
- Sprocket, segmented
- Track:
  - Adjuster, hydraulic
  - Carrier rollers
  - Sealed and Lubricated with PPR, medium service, single grouser track shoes, 47 section, 864 mm (34")
  - Two piece master link

### OTHER STANDARD EQUIPMENT

- Front bumper with towing device
- Drawbar, rigid heavy duty
- Ecology drains
- Diagnostic pressure taps
- Guards:
  - Crankcase
  - Power train, hinged
  - Radiator, hinged
  - Track guiding
- Hydraulics, pilot operated pipelayer system
- Parts book, CD rom
- Oil cooler, hydraulic
- Product link ready
- Vandalism protection for fluid compartments
- Equalizer bar, pinned
- Steering, electronic clutch brake
- Hood, solid
- Hydraulic Pumps, work tool
- S•O•S<sup>SM</sup> Sampling Ports

## Optional Equipment

*Optional equipment may vary. Consult your Caterpillar dealer for details.*

### ELECTRICAL

Alternator, 150 amp

Batteries, heavy duty

### OPERATOR ENVIRONMENT

Air conditioning

Cab (includes)

Lights, 8 additional

Sliding windows

Heater

Roof window

Rear pop-out window

3 wipers, (front, rear, door)

Dual pane windows

Pedals, dual brake

### PIPELAYING EQUIPMENT

Protection pads, boom and load

### POWER TRAIN

Enclosures, arctic engine

Fan, auto reversible

Fast Fuel System

Starting, low temperature

Heater, engine coolant

Heater, diesel fuel

Oil change system, quick

Prelube, engine, automatic

Coolant, Extended Life  $-50^{\circ}\text{C}$  ( $-58^{\circ}\text{F}$ )

### OTHER OPTIONAL EQUIPMENT

Cold weather arrangement

Guards:

Track roller

Radiator core protection grid

Tool kit (dealer installed)

ROPS, roll over protection system

Product link, PL300

Vandalism Protection

Parts Book, paper

---

## Notes

# 587T Pipelayer

For more complete information on Cat products, dealer services,  
and industry solutions, visit us on the web at [www.cat.com](http://www.cat.com)

© 2006 Caterpillar  
All Rights Reserved  
Printed in U.S.A.

Materials and specifications are subject to change without notice.  
Featured machines in photos may include additional equipment.  
See your Caterpillar dealer for available options.

CAT, CATERPILLAR, ACERT, ADEM, their respective logos, "Caterpillar Yellow," and the  
POWER EDGE trade dress as well as corporate and product identity used herein, are  
trademarks of Caterpillar and may not be used without permission.

AEHQ5679-01 (12-06)

**CATERPILLAR<sup>®</sup>**