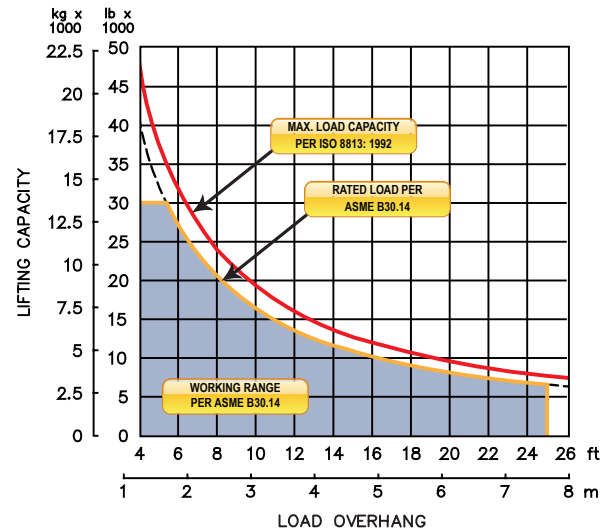


M562c on CAT D6D (LGP)

LOAD RATING



Sideboom Controls

FEATURES

Three lever hydraulic control system allows simultaneous control of load and boom functions. The controls are easy to operate and require minimal operator training.

Hydraulic boom stop automatically prevents system over travel and damage to boom.

Hydraulically operated, four-bar linkage counterweight system adds maximum stability and lifting capability. Low, compact design provides balanced weight distribution for optimum operating control and excellent visibility.

System employs tractor's existing hydraulic pump, filter and reservoir for convenience of OEM replacement parts and maintenance.

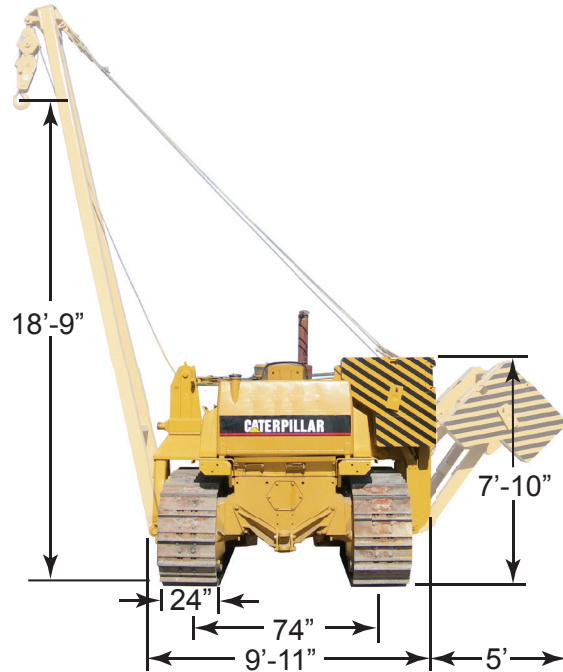
Tubular A-frame boom with quick release hinge pins for easy boom removal and maintenance.

Optional certified ROPS, boom lengths, emergency free-fall and load monitoring system available.

SIDEBOOM ATTACHMENTS

M562c

on CAT D6D (LGP)



LGP Model

- 82" Gauge
- 36" Maximum Shoe Width
- 139" Overall Width

Load Capacity

Maximum Load at 4 ft Overhang	48,000 lb (21,773 kg)
Rated Load at 4 ft Overhang	40,800 lb (18,507 kg)
Maximum Working Load at 4 ft Overhang	30,900 lb (14,016 kg)

Boom and Blocks

Standard Boom	20 ft (6.1 m)
Boom Line Parts	3
Load Line Parts	3
Typical Hook Speed (HI/LO)	65/32 ft/min (19.8/9.8 m/min)

Winches

Boom Winch	Planetary, Single-Speed, Dual Brake System
Load Winch	Planetary, Two-Speed, Dual Brake System, Free-Fall
Wire Rope Installed - Boom Winch	150 ft (45.7 m)
Maximum Cable Capacity - Boom Winch	368 ft (112 m)
Wire Rope Installed - Load Winch	150 ft (45.7 m)
Maximum Cable Capacity - Load Winch	368 ft (112 m)
Wire Rope - Boom & Load Line	5/8 in (16 mm), 6x36 EIPS, IWRC [41,200 lbs (18,688 kg) Minimum Breaking Strength]

Hydraulic System

Directional Control Valve	3-Section, Open Center with Manual Levers
Operating Pressure	3,000 psi (207 bar)
Pump Output	63 gpm (238 lpm)

Weights

	D6D	D6D LGP
Removable Counterweight Segments	6 @ 896 lb (406 kg) each	
Total Extendible Counterweight (Segments & Frame)	8,200 lb (3,720 kg)	
Total Sideboom Attachment Weight	15,500 lb (7,031 kg)	
Approximate Operating Weight	40,000 lb (18,144 kg)	45,000 lb (20,412 kg)
Approx. Shipping Weight - Less Boom at 1,200 lb (544 kg)	38,800 lb (17,599 kg)	43,800 lb (19,867 kg)